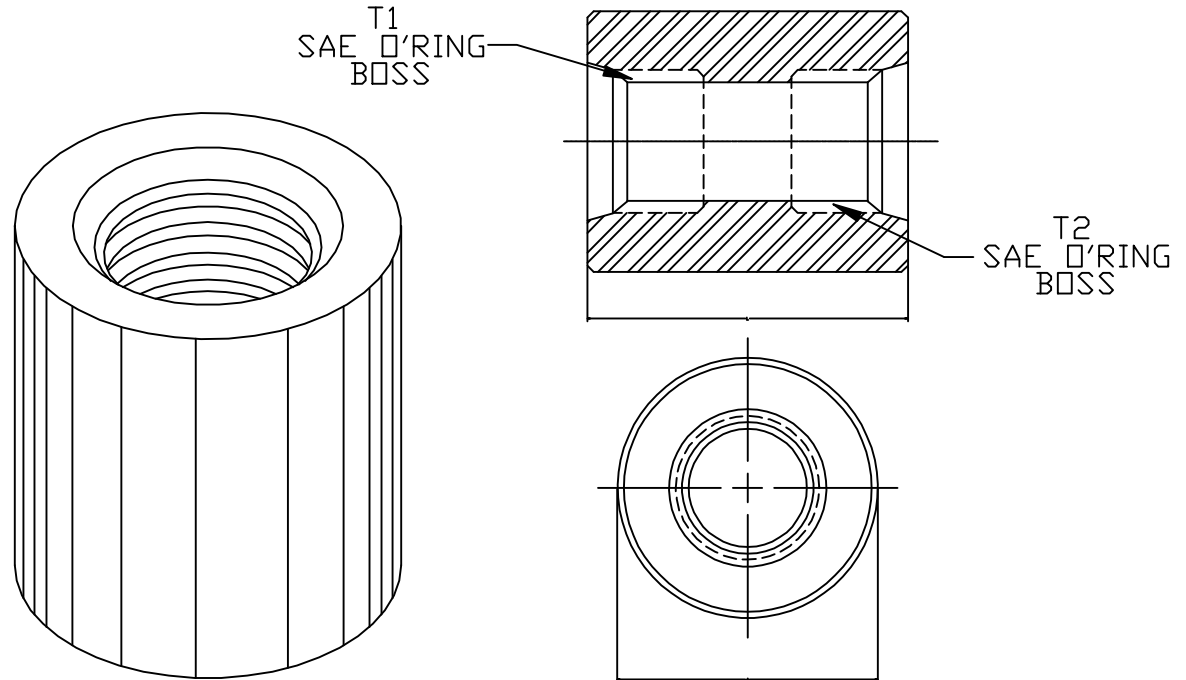


## SAE X SAE FULL COUPLINGS 316SS



MATERIAL: 316L SS

TRILEX PART #	L LENGTH	A DIAMETER	THREAD T2	SAE NUMBER	THREAD T1	SAE NUMBER
3104SS	1.500	0.875	7/16-20 UNF-2B	-4	7/16-20 UNF-2B	-4
3106SS	1.875	1.125	9/16-18 UNF-2B	-6	9/16-18 UNF-2B	-6
3108SS	1.875	1.250	3/4-16 UNF-2B	-8	3/4-16 UNF-2B	-8
3112SS	2.000	1.625	1 1/16-12 UNF-2B	-12	1 1/16-12 UNF-2B	-12
3116SS	2.375	2.000	1 5/16-12 UNF-2B	-16	1 5/16-12 UNF-2B	-16
3120SS	2.625	2.250	1 5/8-12 UNF-2B	-20	1 5/8-12 UNF-2B	-20
3124SS	3.000	2.500	1 7/8-12 UNF-2B	-24	1 7/8-12 UNF-2B	-24
3132SS	3.375	3.000	2 1/2-12 UNF-2B	-32	2 1/2-12 UNF-2B	-32

NOTE: -AVAILABLE IN 304L SS UPON REQUEST  
 -MTR'S AVAILABLE UPON REQUEST