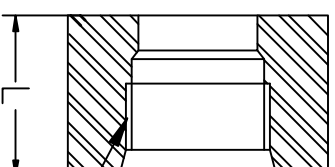
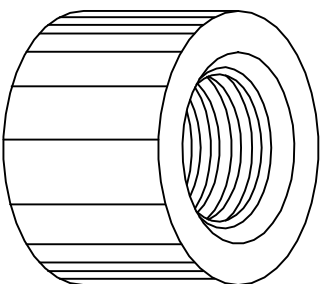
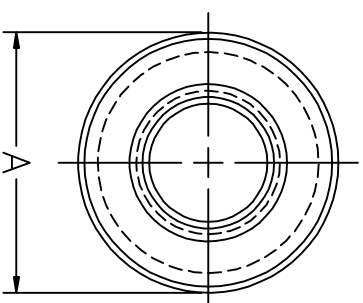


## SAE HALF COUPLINGS 316L SS FLAT BOTTOM STYLE



T1  
SAE D'RING  
BOSS



MATERIAL: 316L SS

TRILEX PART #	L LENGTH	A DIAMETER	THREAD T1	SAE NUMBER
3504SS	0.750	0.875	7/16-20 UNF-2B	-4
3506SS	0.750	1.125	9/16-18 UNF-2B	-6
3508SS	0.750	1.250	3/4-16 UNF-2B	-8
3512SS	1.000	1.625	1 1/16-12 UNF-2B	-12
3516SS	1.250	2.000	1 5/16-12 UNF-2B	-16
3520SS	1.250	2.250	1 5/8-12 UNF-2B	-20
3524SS	1.250	2.500	1 7/8-12 UNF-2B	-24
3532SS	1.375	3.000	2 1/2-12 UNF-2B	-32

NOTE: -AVAILABLE IN 304L SS UPON REQUEST  
-MTR'S AVAILABLE UPON REQUEST