

J.I.C. JUMBO RESERVOIRS - "TJ" STYLE

Each "TJ" Style Reservoir includes:

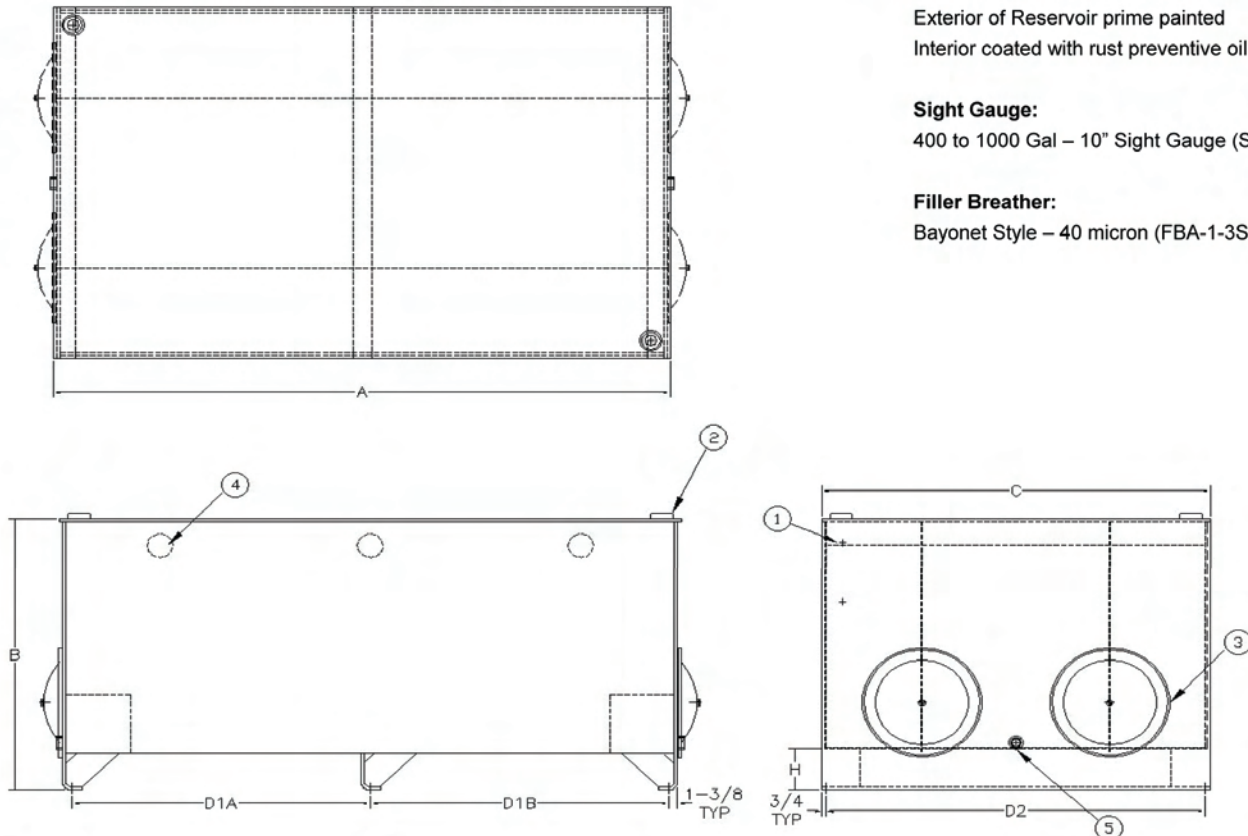
1. (2) Oil Level & Temp. gauge holes
 2. (2) Risers for Filler Breather
 3. (4) Steel Endcovers with Gaskets
 4. (2) 3/4" SAE Drains & Plugs
 5. (2) Baffles with cutouts for circulation
- Exterior of Reservoir prime painted
Interior coated with rust preventive oil

Sight Gauge:

400 to 1000 Gal – 10" Sight Gauge (SLG-10T)

Filler Breather:

Bayonet Style – 40 micron (FBA-1-3S)



J.I.C. JUMBO RESERVOIRS - "TJ" STYLE														
PART #	CAPA. (GALS)	A length	B height	C width	MOUNTING CENTERS			END COVER	SIGHT GAUGE	PLATE THICKNESS			WEIGHT (lbs)	H
					D1A +/- 1/8"	D1B +/- 1/8"	D2 +/- 1/8"			END	TOP	BODY		
TJ.400	400	72"	36"	48"	33-1/4"	36"	46 1/2"	16"	10"	3/8"	1/2"	3/16"	2035	6
TJ.500	500	72"	41"	48"	33-1/4"	36"	46 1/2"	16"	10"	3/8"	1/2"	3/16"	2200	6
TJ.600	600	96"	41"	60"	44 1/4"	48"	58 1/4"	16"	10"	3/8"	1/2"	3/16"	2365	6
TJ.800	800	96"	46"	60"	44 1/4"	48"	58 1/4"	18"	10"	3/8"	1/2"	3/16"	2695	6
TJ.900	900	96"	51"	60"	44 1/4"	48"	58 1/4"	18"	10"	3/8"	1/2"	3/16"	2860	6
TJ.1000	1000	96"	56"	60"	44 1/4"	48"	58 1/4"	18"	10"	3/8"	1/2"	3/16"	3025	6

Dimensions are approximate & subject to change without notice.