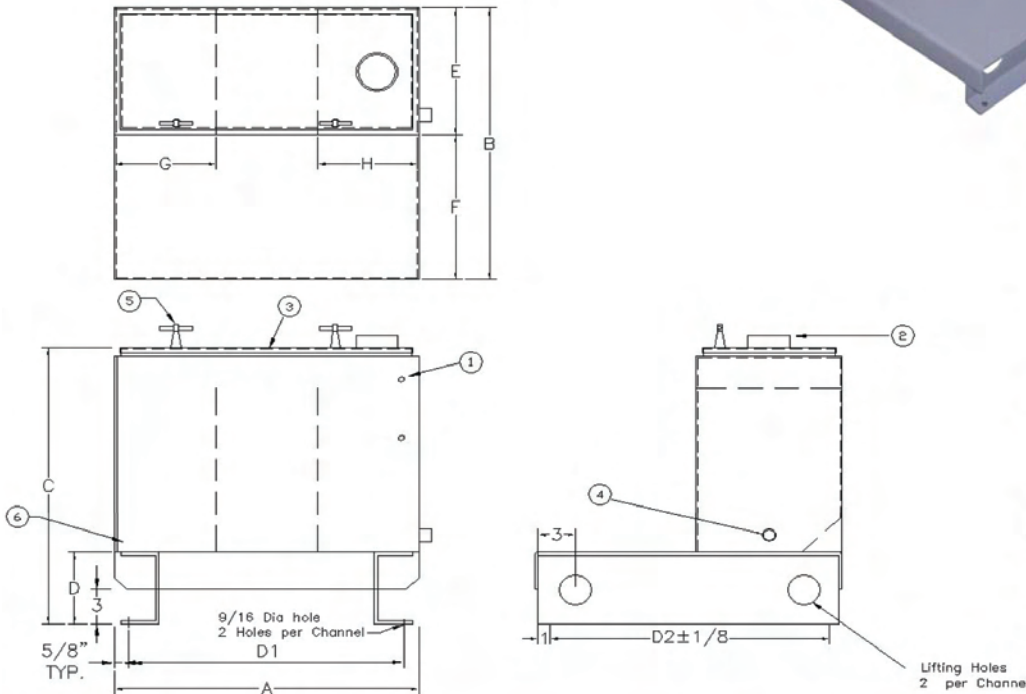


"L" SHAPE RESERVOIRS - "TLC" STYLE



Each "TL" Style Reservoir includes:

1. (1) Oil Level & Temp. gauge holes
 2. (1) Riser for Filler Breather
 3. (1) Hinged cover with gasket
 4. (1) 3/4" SAE Drain & Plug
 5. (2) T-Handles on top cover
- Baffle(s) with cutouts for circulation
 Exterior of Reservoir prime painted
 Interior coated with rust preventive oil
 *100 to 600 Gal - door safety bar (not shown)
 also available in 304SS and 316SS

Sight Gauge:

- 10 to 200 Gal – 5" Sight Gauge (SLG-5T)
- 300 Gal & up - 10" Sight Gauge (SLG-10T)

Filler Breather:

- Bayonet Style – 40 micron (FBA-1-3S)

"L" SHAPE RESERVOIRS - "TLC" STYLE																
PART #	CAP. (GALS)	A length	B width	C height	D	E	F	G	H	MOUNTING CENTERS		SIGHT GA.	PLATE THICKNESS			WEIGHT (lbs)
										D1 +/- 1/8"	D2 +/- 1/8"		END	TOP	BODY	
TLC.10	10	24"	23-7/16"	23-7/8"	6-1/4"	11-1/8"	12-1/2"	11"	N/A	22"	20-3/8"	5"	10ga	10ga	10ga	135
TLC.20	20	30"	27-7/16"	25-7/8"	6-1/4"	13-1/2"	13-7/8"	12"	N/A	28"	24-3/8"	5"	10ga	10ga	10ga	183
TLC.30	30	36"	30-7/16"	29-7/8"	6-1/4"	13-3/4"	16-5/8"	12"	N/A	34"	27-3/8"	5"	10ga	10ga	10ga	240
TLC.45	45	54"	31-7/16"	30-7/8"	6-1/4"	13-3/4"	17-5/8"	12"	12"	52"	28-3/8"	5"	10ga	10ga	10ga	335
TLC.60	60	48"	37-7/16"	35-7/8"	6-1/4"	16-3/4"	20-5/8"	16"	N/A	46"	34-3/8"	5"	10ga	10ga	10ga	376
TLC.80	80	66"	38-3/8"	36"	6-1/4"	16-3/4"	21-7/8"	16"	16"	64"	35-3/8"	5"	10ga	10ga	10ga	699
TLC.100	100	60"	42-3/8"	39"	6-1/4"	19-3/8"	22-7/8"	16"	16"	58"	39-3/8"	5"	10ga	10ga	10ga	695
TLC.120	120	72"	42-3/8"	39"	6-1/4"	19-3/8"	22-7/8"	16"	16"	70"	39-3/8"	5"	10ga	10ga	10ga	836
TLC.150	150	72"	50-3/8"	39"	6-1/4"	25-3/8"	24-7/8"	16"	16"	70"	47-3/8"	5"	10ga	10ga	10ga	939
TLC.200	200	84"	51-3/8"	42"	6-1/4"	25-3/8"	25-7/8"	16"	16"	82"	48-3/8"	5"	10ga	10ga	10ga	1128
TLC.300	300	84"	60"	54-1/4"	6-1/4"	25-3/8"	37-7/16"	16"	16"	82"	58"	10"	3/16"	10ga	3/16"	1400
TLC.400	400	84"	60"	54-1/4"	6-1/4"	28-3/8"	31-7/16"	16"	16"	82"	58"	10"	3/16"	10ga	3/16"	1610
TLC.500	500	84"	60"	60-3/16"	6-1/4"	32-3/8"	27-7/16"	18"	18"	82"	58"	10"	3/16"	10ga	3/16"	1782
TLC.600	600	90"	62"	66-3/16"	6-1/4"	30-3/8"	31-7/16"	22"	22"	88"	60"	10"	3/16"	10ga	3/16"	1838

* All decks are 1/4" thick plate
 Dimensions are approximate, in inches.