

Each "TH" Style Reservoir includes:

1. (1) Oil Level & Temp. gauge holes
2. (1) Riser for Filler Breather shipped loose
3. (1) Endcover incl. 3/4" SAE Drain & Plug

Baffle with cutouts for circulation

Exterior of Reservoir prime painted

Interior coated with rust preventive oil

also available in 304SS and 316SS

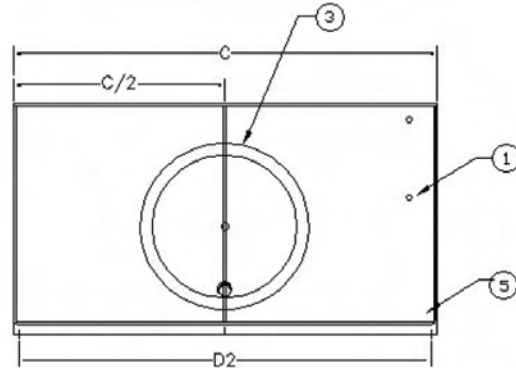
Sight Gauge:

10 to 200 Gal – 5" Sight Gauge (SLG-5T)

300 Gal & up – 10" Sight Gauge (SLG-10T)

Filler Breather:

Bayonet Style – 40 micron (FBA-1-3S)



HORIZONTAL NON-J.I.C. RESERVOIRS - "TH" STYLE													
PART #	CAPA. (GALS)	A body	B height	C width	D length	MOUNTING CENTERS		END COVER	SIGHT GAUGE	PLATE THICKNESS			WEIGHT (lbs)
						D1 +/- 1/8"	D2 +/- 1/8"			END	TOP	BODY	
TH.10	10	16"	14"	16"	18 1/4"	17 3/8"	15 1/8"	12"	5"	10ga	10ga	10ga	80
TH.20	20	24"	14"	18"	26 1/4"	25 3/8"	17 1/8"	12"	5"	10ga	10ga	10ga	100
TH.30	30	36"	14"	18"	38 1/4"	37 3/8"	17 1/8"	12"	5"	10ga	10ga	10ga	130
TH.40	40	36"	14"	24"	38 1/4"	37 3/8"	23 1/8"	12"	5"	10ga	10ga	10ga	270
TH.60	60	40"	16 5/8"	30"	42 3/8"	41 1/2"	29 1/8"	12"	5"	10ga	10ga	10ga	270
TH.80	80	48"	16 5/8"	30"	50 3/8"	49 1/2"	29 1/8"	12"	5"	10ga	10ga	10ga	320
TH.100	100	52"	16 5/8"	36"	54 3/8"	53 1/2"	35 1/8"	12"	5"	10ga	10ga	10ga	410
TH.105	105	48"	19"	30"	50 3/8"	49 1/2"	29 1/8"	12"	5"	10ga	10ga	10ga	410

Dimensions are approximate, in inches.