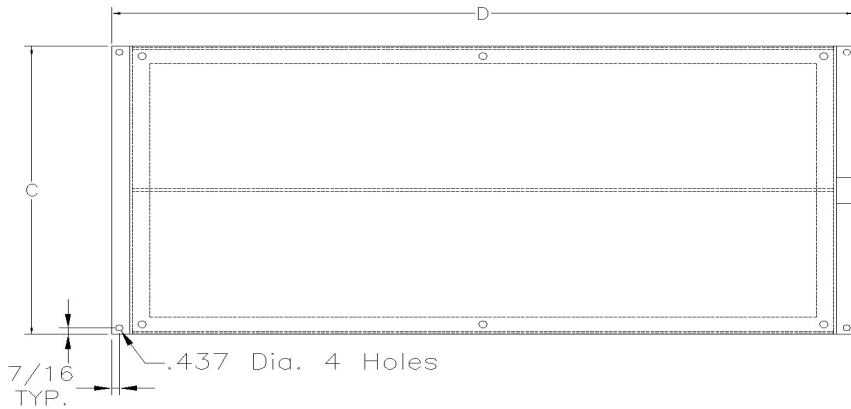
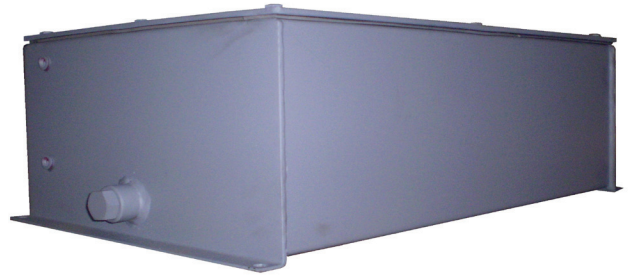


# HORIZONTAL NON-J.I.C. RESERVOIRS - "THRL" STYLE REMOVABLE LID



**Each "THRL" Style Reservoir includes:**

1. (1) Oil Level & Temp. gauge holes
2. (1) Riser for Filler Breather shipped loose
3. removable lid c/w neoprene gasket
4. 1x #12sae drain c/w plug

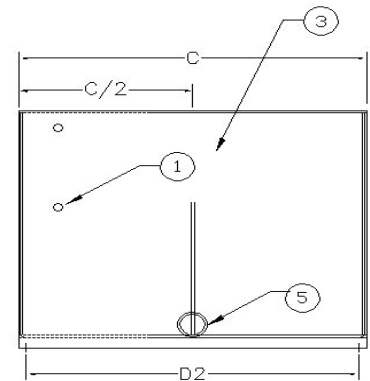
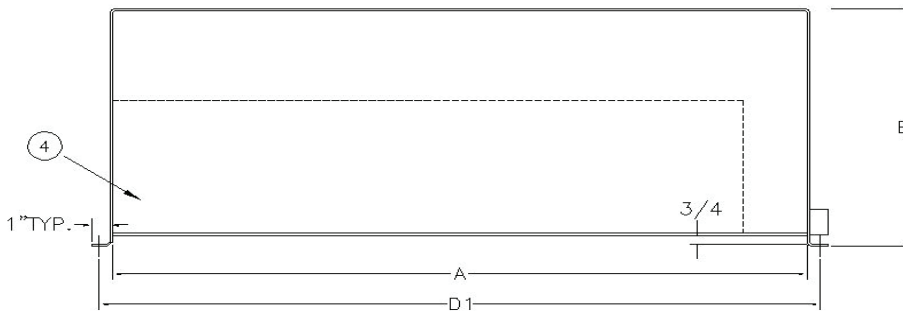
Exterior of Reservoir prime painted  
Interior coated with rust preventive oil

**Sight Gauge:**

- 10 to 200 Gal – 5" Sight Gauge (SLG-5T)
- 300 Gal & up – 10" Sight Gauge (SLG-10T)

**Filler Breather:**

Bayonet Style – 40 micron (FBA-1-3S)



**HORIZONTAL NON-J.I.C. RESERVOIRS - "THRL" STYLE**

PART #	CAPACITY (GALLONS)	A body	B height	C width	D length	MOUNTING CENTERS		SIGHT GAUGE	PLATE THICKNESS			WEIGHT (lbs)
						D1 +/- 1/8"	D2 +/- 1/8"		END	TOP	BODY	
THRL.10	10	24"	9-1/2"	16"	26"	25-1/4"	15"	5"	10ga	1/4"	10ga	80
THRL.20	20	24"	15-1/2"	16"	26"	25-1/4"	15"	5"	10ga	1/4"	10ga	100
THRL.30	30	24"	21-1/2"	16"	26"	25-1/4"	15"	5"	10ga	1/4"	10ga	130
THRL.40	40	24"	27-1/2"	16"	26"	25-1/4"	15"	5"	10ga	1/4"	10ga	270

Dimensions are approximate, in inches.

