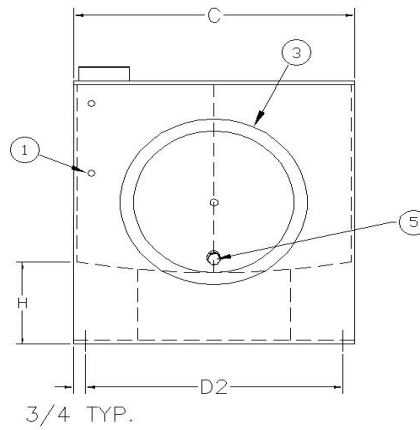
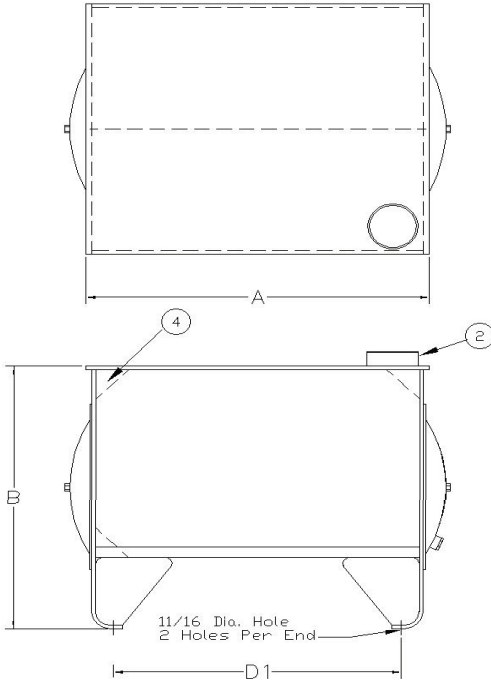
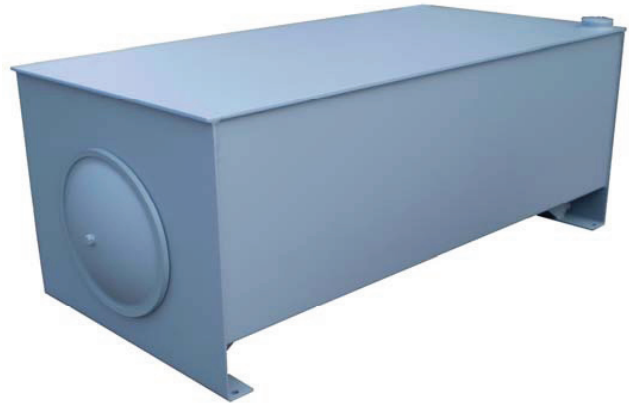


# J.I.C. RESERVOIRS - "T1" STYLE



**Each "T1" Style Reservoir includes:**

- 1. (1) Oil Level & Temp. gauge holes
- 2. (1) Riser for Filler Breather
- 3. (2) Steel Endcovers with Gaskets  
(1) Endcover incl. 3/4" SAE Drain & Plug
- Baffle with cutouts for circulation
- Exterior of Reservoir prime painted
- Interior coated with rust preventive oil

**Sight Gauge:**

- 10 to 200 Gal – 5" Sight Gauge (SLG-5T)
- 300 Gal & up – 10" Sight Gauge (SLG-10T)

**Filler Breather:**

Bayonet Style – 40 micron (FBA-1-3S)

J.I.C. RESERVOIRS - "T1" STYLE													
PART #	CAPA. (GALS)	A length	B height	C width	MOUNTING CENTERS		END COVER	SIGHT GAUGE	PLATE THICKNESS			WEIGHT (lbs)	H
					D1 +/- 1/8"	D2 +/- 1/8"			END	TOP	BODY		
T1.10	10	22"	19 3/8"	18"	18 1/4"	16 1/2"	1 X 12"	5"	3/16"	3/16"	10 ga	105	6"
T1.15	15	26"	19 3/8"	18"	22 1/4"	16 1/2"	2 X 12"	5"	3/16"	3/16"	10 ga	105	6"
T1.20	20	30"	19 3/8"	18"	26 1/4"	16 1/2"	2 X 12"	5"	3/16"	3/16"	10 ga	125	6"
T1.30	30	36"	19 3/8"	24"	32 1/4"	22 1/2"	2 X 12"	5"	3/16"	3/16"	10 ga	178	6"
T1.40	40	36"	21"	24"	32 1/4"	22 1/2"	2 X 12"	5"	3/16"	3/16"	10 ga	190	6"
T1.50	50	36"	23"	24"	32 1/4"	22 1/2"	2 X 16"	5"	3/16"	3/16"	10 ga	200	6"
T1.60	60	48"	20 11/16"	27"	44 1/4"	25 1/2"	2 X 16"	5"	3/16"	3/8"	10 ga	314	5"
T1.80	80	60"	21 1/2"	27"	56 1/4"	25 1/2"	2 X 16"	5"	3/16"	3/8"	10 ga	398	6"
T1.100	100	60"	23 1/2"	27"	56 1/4"	25 1/2"	2 X 16"	5"	3/16"	3/8"	10 ga	418	6"
T1.120	120	60"	27"	30"	56 1/4"	28 1/2"	2 X 16"	5"	3/16"	3/8"	10 ga	616	6"
T1.150	150	60"	31"	30"	56 1/4"	28 1/2"	2 X 16"	5"	3/8"	3/8"	10 ga	681	6"
T1.200	200	72"	29 3/8"	36"	68 1/4"	34 1/2"	2 X 16"	5"	3/8"	3/8"	10 ga	908	6"
T1.300	300	72"	38 1/2"	36"	68 1/4"	34 1/2"	2 X 16"	10"	3/8"	3/8"	3/16	999	6"
T1.400	400	72"	38 1/2"	48"	68 1/4"	46 1/2"	2 X 16"	10"	3/8"	1/2"	3/16"	1578	6"
T1.500	500	72"	43"	48"	68 1/4"	46 1/2"	2 X 16"	10"	3/8"	1/2"	3/16"	1733	6"
T1.600	600	96"	43"	48"	92 1/4"	46 1/2"	2 X 16"	10"	3/8"	1/2"	3/16"	1838	6"
T1.700	700	96"	49"	48"	92 1/4"	46 1/2"	2 X 16"	10"	3/8"	1/2"	3/16"	1996	6"

Dimensions are approximate & subject to change without notice.