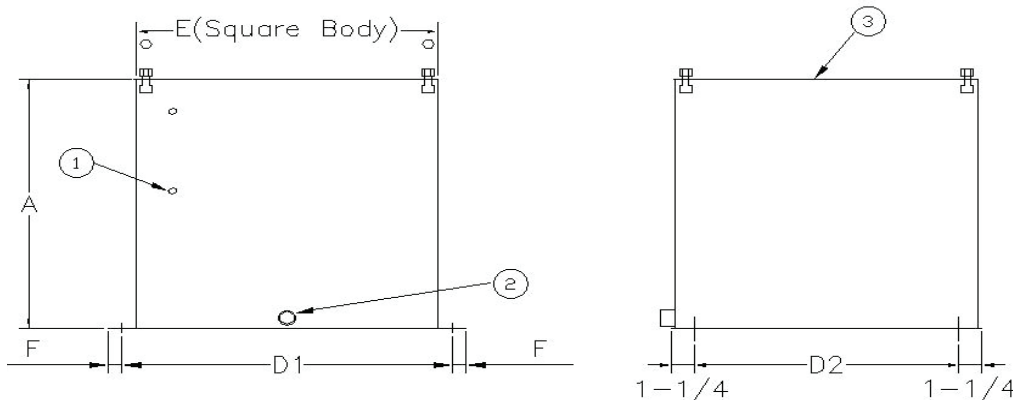
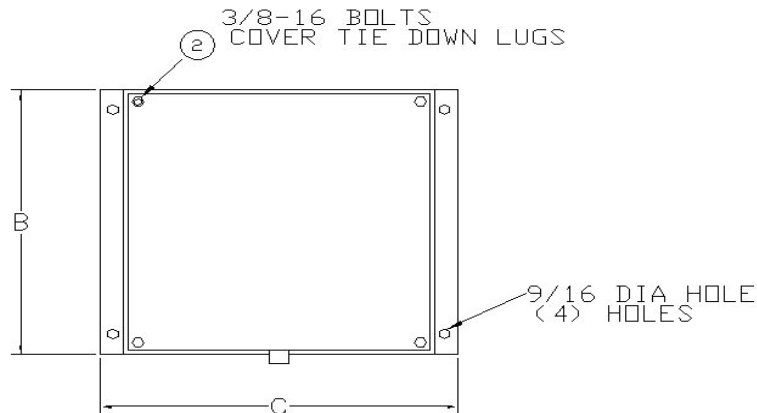


VERTICAL NON-J.I.C. RESERVOIRS - "TV-14" STYLE



Each "TV" Style Reservoir includes:

1. (1) Oil Level & Temp. gauge holes
 2. (4) Cover Mounting Bolts
 3. Channel Gasket for cover plate seal
 4. (1) 3/4" SAE Drain
- Customer choice of cover plate
Exterior of Reservoir prime painted
Interior coated with rust preventive oil

Sight Gauge:

5 to 30 Gal - 5" Sight Gauge (SLG-5T)

VERTICAL NON-J.I.C. RESERVOIRS - "TV-14" STYLE													
PART #	CAPA. (GALS)	A height	B width	C length	MOUNTING CENTERS		E	F	SIGHT GAUGE	PLATE THICKNESS			WEIGHT (lbs)
					D1 +/- 1/8"	D2 +/- 1/8"				END	TOP	BODY	
TV-145	5	10"	12-1/2"	14-1/2"	13-1/2"	10"	12"	1/2"	5"	10GA	1/4"	10GA	30
TV-146	10	20"	12-1/2"	14-1/2"	13-1/2"	10"	12"	1/2"	5"	10GA	1/4"	10GA	45
TV-147	10	12"	16-1/2"	19"	17-1/2"	14"	16"	3/4"	5"	10GA	1/4"	10GA	50
TV-148	20	24"	16-1/2"	19"	17-1/2"	14"	16"	3/4"	5"	10GA	1/4"	10GA	66
TV-149	30	36"	16-1/2"	19"	17-1/2"	14"	16"	3/4"	5"	10GA	1/4"	10GA	86

Dimensions are approximate, in inches.

Weights do not include covers

VARIOUS LID STYLES ARE AVAILABLE - SEE "TVL" PAGE 55 FOR DETAILS