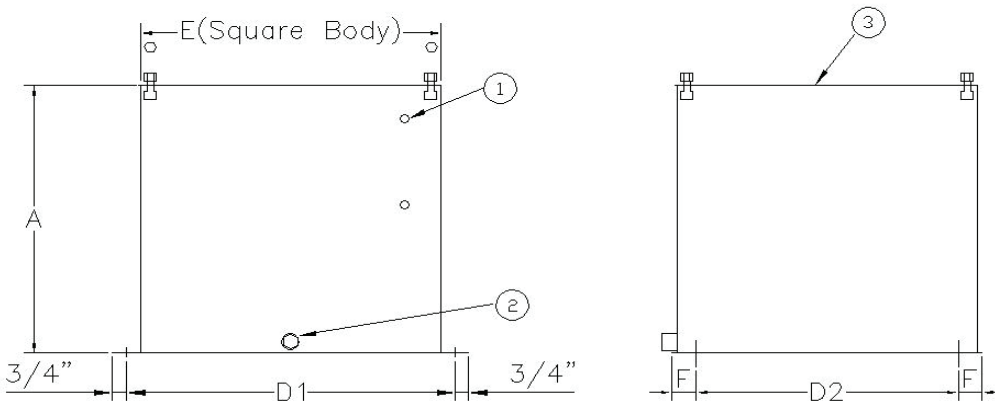
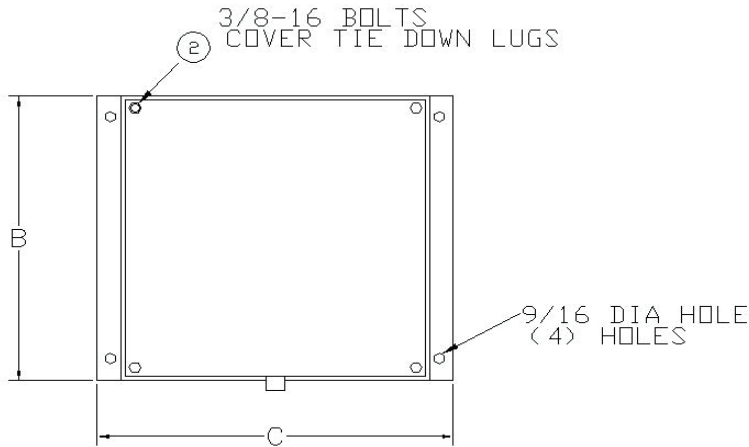


VERTICAL NON-J.I.C RESERVOIRS - "TV-17" STYLE



Each "TV" Style Reservoir includes:

1. (1) Oil Level & Temp. gauge holes
 2. (4) Cover Mounting Bolts
 3. Channel Gasket for cover plate seal
 4. (1) 3/4" SAE Drain
- Customer choice of cover plate
Exterior of Reservoir prime painted
Interior coated with rust preventive oil

Sight Gauge:

5 to 40 Gal – 5" Sight Gauge (SLG-5T)

VERTICAL NON-J.I.C. RESERVOIRS - "TV-17" STYLE													
PART #	CAPA. (GALS)	A height	B width	C length	MOUNTING CENTERS		E	F	SIGHT GAUGE	PLATE THICKNESS			WEIGHT (lbs)
					D1 +/- 1/8"	D2 +/- 1/8"				END	TOP	BODY	
TV-172	5	10"	12-1/2"	14-1/2"	13-1/2"	10"	12"	1/2"	5"	10GA	1/4"	10GA	55
TV-173	10	15-1/2"	17-1/2"	20"	18-3/4"	14-1/2"	17"	1-1/2"	5"	10GA	1/4"	10GA	65
TV-174	20	18-1/2"	18"	20-1/2"	19-1/4"	15"	17-1/2"	1-1/2"	5"	10GA	1/4"	10GA	80
TV-175	30	26-1/2"	18"	20-1/2"	19-1/4"	15"	17-1/2"	1-1/2"	5"	10GA	1/4"	10GA	100
TV-176	40	34-1/2"	18"	20-1/2"	19-1/4"	15"	17-1/2"	1-1/2"	5"	10GA	1/4"	10GA	120

Dimensions are approximate, in inches.
Weights do not include covers

VARIOUS LID STYLES ARE AVAILABLE - SEE "TVL" PAGE 53 FOR DETAILS